

DEVELOPMENT OF PROTOTYPE OF HYBRID POWER GENERATION USING SOLAR, WIND AND HARVESTED RAINWATER

A Project report submitted in partial fulfilment of the requirements for the degree of B.Tech in
Electrical Engineering

By

Ankita Das	11701617072
Pankaj Deb Roy	11701617054
Swachha Prodip Saha	11701616017

Under the supervision of

Mr. Subhasis Bandopadhyay

Assistant Professor Dept. of Electrical Engineering



Department of Electrical Engineering

RCC INSTITUTE OF INFORMATION TECHNOLOGY

CANAL SOUTH ROAD, BELIAGHATA, KOLKATA – 700015, WEST BENGAL
Maulana Abul Kalam Azad University of Technology (MAKAUT)

Table of Contents

1. Certificate	3
2. Acknowledgement	4
3. Abstract	5
CHAPTER 1: SOLAR, WIND AND WATER HYBRID POWER GENERATION	
1.1 Introduction	6
1.2 Purpose of this project	6
1.3 Solar working principle	7-8
1.4 Solar photovoltaic cells working	8
1.5 Working of wind power system	9
1.6 Wind turbine	9
1.7 Wind turbine generator	9-10
1.8 Working of wind power system	11
1.9 Design criteria of hydro power system	11
CHAPTER 2: BLOCK DIAGRAM	
2.1 Block diagram of the system	12

2.2 Single line diagram	13
-------------------------	----

CHAPTER 3: PROPOSED SYSTEM HARDWARE AND ARCHITECTURE

3.1 List of hardware	14
----------------------	----

3.2 Description of hardware	14-24
-----------------------------	-------

CHAPTER 4: SYSTEM IMPLEMENTATION

4.1 Circuit diagram	25-29
---------------------	-------

4.2 Project	30
-------------	----

4.3 Observation and result	31
----------------------------	----

CHAPTER 5: CONCLUSION AND FUTURE SCOPE

5.1 Conclusion	32
----------------	----

5.2 Future scope and applications	33
-----------------------------------	----

5.3 Reference	34-35
---------------	-------

Department of Electrical Engineering
RCC INSTITUTE OF INFORMATION TECHNOLOGY GROUND
FLOOR, NEW BUILDING, CANAL SOUTH ROAD, BELIAGHATA,
KOLKATA – 700015, WEST BENGAL

.....

CERTIFICATE

To whom it may concern

This is to certify that the project work entitled is **DEVELOPMENT OF PROTOTYPE OF HYBRID POWER GENERATION USING SOLAR, WIND AND HARVESTED RAINWATER**. The bona fide work carried out by **ANKITA DAS** (11701617072), **PANKAJ DEB ROY** (11701617054), **SWACHHA PRODIP SAHA**(11701616017), students of B.Tech in the Dept. of Electrical Engineering, RCC Institute of Information Technology (RCCIIT), Canal South Road, Beliaghata, Kolkata-700015, affiliated to Maulana Abul Kalam Azad University of Technology (MAKAUT), West Bengal, India, during the academic year 2020-21, in partial fulfillment of the requirements for the degree of Bachelor of Technology in Electrical Engineering and that this project has not submitted previously for the award of any other degree, diploma and fellowship.

subhasis bandopadhyay

Signature of the Guide

Name: **Mr. Subhasis Bandopadhyay**

Designation: Assistant Professor

HoD, Dept. of EE
RCC Institute of Information Technology
Kolkata-700015

Signature of the HOD

Name: **Prof. (Dr.) Debasish Mondal**

Designation: HOD

Signature of the External Examiner

Name:

Designation:

ACKNOWLEDGMENT

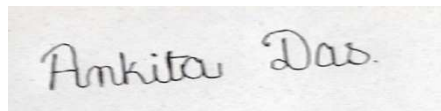
We would like to express our great thanks of gratitude that we have got opportunity to carry out this project work under the supervision of **Mr. Subhasis Bandopadhyay** assistant professor in the Department of Electrical Engineering, RCC Institute of Information Technology (RCCIIT), Canal South Road, Beliaghata, Kolkata-700015, affiliated to Maulana Abul Kalam Azad University of Technology (MAKAUT), West Bengal, India. We express our sincere thanks and deepest sense of gratitude to our guide for his constant support, unparalleled guidance and limitless encouragement.

We wish to convey our gratitude to Prof. (Dr.) Debasish Mondal, HOD, Department of Electrical Engineering, RCCIIT and to the authority of RCCIIT for providing all kinds of infrastructural facility towards the research work.

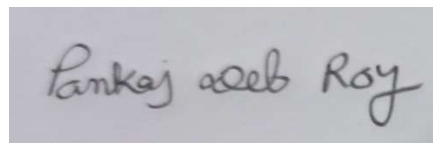
We would also like to convey our gratitude to all the faculty members and staff of the Department of Electrical Engineering, RCCIIT for their whole hearted cooperation to make this work great success.

Date: 08.05.2021

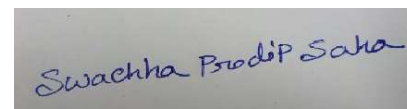
Place: Kolkata



Ankita Das.



Rankej Seeb Roy



Swachha PradiP Saha

Full Signature of Students

1. ABSTRACT

Rural electrification has expanded but access to power supply is still beyond reach of many households because it is not economically feasible due to some factors. Further, the increases in oil prices and the unbearable impacts of this energy source on the users and on the environment, are slowly removing conventional energy solutions, such as fuel genes-based systems, from the rural development agendas.

This problem can be overcome by using “**Hybrid Power Generation Model Using Rain Water, Solar and Wind**”. Hybrid systems have proved to be the best option to deliver “high quality” power.

CHAPTER 1: ENABLING TECHNOLOGY FOR SOLAR AND WIND HYBRID POWER GENERATION

1.1 Introduction

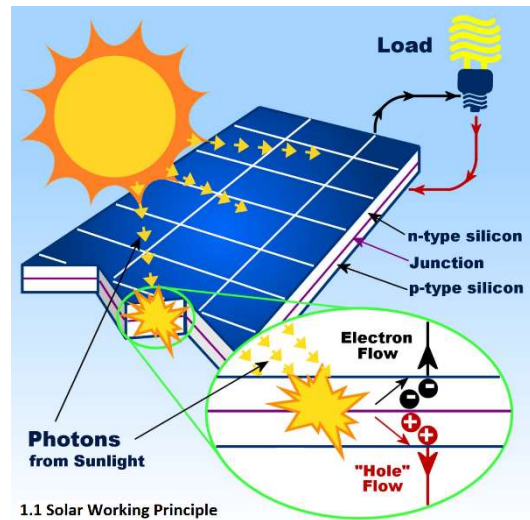
With increasing concern of global warming and the depletion of fossil fuel reserves, many are looking at sustainable energy solutions to preserve the earth for the future generations. Other than hydro power, wind and photovoltaic energy holds the most potential to meet our energy demands. Alone, wind energy is capable of supplying large amounts of power but its presence is highly unpredictable as it can be here one moment and gone in another. Similarly, solar energy is present throughout the day but the solar irradiation levels vary due to sun intensity and unpredictable shadows cast by clouds, birds, trees, etc. The common inherent drawback of wind and photovoltaic systems are their intermittent natures that make them unreliable. However, by combining these two intermittent sources and by incorporating maximum power point tracking (MPPT) algorithms, the systems power transfer efficiency and reliability can be improved significantly. When a source is unavailable or insufficient in meeting the load demands, the other energy source can compensate for the difference. Several hybrid wind/PV power systems with MPPT control have been proposed and discussed in works. Most of the systems in literature use a separate DC/DC boost converter connected in parallel in the rectifier stage perform the MPPT control for each of the renewable energy power sources. A simpler multi-input structure has been suggested that combine the sources from the DC-end while still achieving MPPT for each renewable source. The structure is proposed by the combination of the buck and buck-boost converter. The system in literature requires passive input filters to remove the high frequency current harmonics injected into wind turbine generators. The harmonic content in the generator current decreases its lifespan and increases the power loss due to heating. In this paper, an alternative multi-input rectifier structure is proposed for hybrid wind/solar energy systems.

1.2 Purpose of this Project

1. In Remote areas extending power supply units at each apartment.
2. Multistoried buildings
3. Homes, schools.
4. Street lightings covering a large area.
5. Off grid applications.
6. Solar water heaters. Electric kettles solar vehicles
7. Traffic signaling and in many applications.

1.3 Solar Working Principle

Every device we use in our day-to-day life such as mobile phone, computer, induction cookers, washing machines, vacuum cleaners, etc., requires electric power supply. Thus, the advancement in technology is increasing the electrical and electronic appliances usage – which, in turn – is increasing the power demand. Thus, to meet the load demand, different techniques are used for electric power generation. In the recent times, to avoid pollution and to conserve non-renewable energy resources like coal, petroleum, etc., renewable energy sources like solar, wind, etc., are being preferred for power generation. The combination of renewable energy sources can also be used for generating power called as hybrid power system. As a special case, we will discuss about the working of solar-wind hybrid system in this article.



Solar and wind hybrid power systems are designed using solar panels and small wind turbine generators for generating electricity. Generally, these solar wind hybrid systems are capable of small capabilities. The typical power generation capacities of solar wind hybrid systems are in the range from 1 kW to 10 kW. Before discussing in brief about the solar and wind hybrid power system, we should know about solar power generation systems and wind power generation systems. To better understand the working of solar wind hybrid system, we must know the working of solar energy system and wind energy system. Solar power system can be defined as the system that uses solar energy for power generation with solar panels. The block diagram of solar wind hybrid system shown in the figure in which the solar panels and wind turbine are used for power generation.

The solar panel output is electric power and is measured in terms of Watts or Kilo watts. These solar panels are designed with different output ratings like 5 watts, 10 watts, 20 watts, 100 watts etc. So, based on the requirement of output power, we can choose appropriate solar panel.

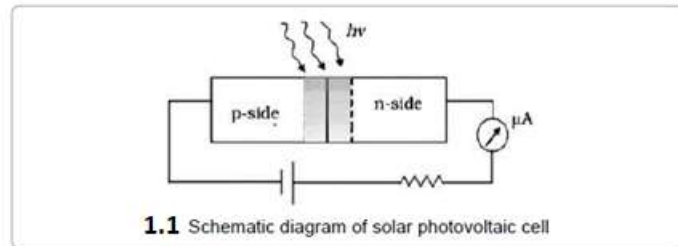
The solar panel output is electric power and is measured in terms of Watts or Kilo watts. These solar panels are designed with different output ratings like 5 watts, 10 watts, 20 watts, 100 watts etc. So, based on the requirement of output power, we can choose appropriate solar panel.

But, in fact, the solar panels output is affected by number of factors like climate, panel orientation to the sun, sun light intensity, the presence of sunlight duration, and so on. During normal sunlight a 12 volt 15 watts solar panel produces around 1 Ampere current. Generally, solar panels maintained properly will work for 25 years. It is essential for designing the solar panel arrangement on the roof top for efficient usage and typically solar panels are arranged such that they face the East at an angle of 45 degree.

1.4 Solar Photovoltaic Cells Working

We must also know the working of the solar cells to understand how the solar panels convert solar energy into electrical energy. Solar cells or solar photovoltaic cells are the devices that are used for converting solar energy into electrical energy by utilizing the photovoltaic effect. These cells are used in many real-time applications such as railway signaling systems, street lighting systems, domestic lighting systems, and remote telecommunication systems.

Solar photovoltaic cell consists of a P-type of silicon layer that is placed in contact with an N-type silicon layer. The electrons diffuse from the N-type material to the P-type material. The holes in the P-type material accept the electrons but there are more electrons in the N-type material. So, with the influence of the solar energy, these electrons in the N-type material moves from N-type to P-type.



Thus, these electrons and holes combine in the P-N junction. Due, to this combination a charge on either side of the P-N junction is created and this charge creates an electric field. This formation of electric field results in developing a diode like system that promotes the charge flow. This is called as drift current and the diffusion of electrons and holes is balanced by drift current. This drift current occurs in an area where mobile charge carriers are lacking and is called as the depletion zone or space charge region. Thus, during night time or in the darkness, these solar photovoltaic cells behave like reverse bias diodes.

Generally solar panel open circuit voltage (voltage when battery is not connected) is higher than solar panel rated voltage. For example, consider a 12 volt solar panel giving an output voltage of around 20 volts in bright sun light- but, whenever a battery is connected to the solar panel, then the voltage drops to 14- 15 volts.

Solar cells are made of most frequently used semiconductor materials such as silicon. Solar photovoltaic (SPV) effect is a process to convert solar energy into DC electricity using an array of solar panels. This, DC electricity can be stored in batteries shown in the figure or can be used to feed DC loads directly or can be used to feed AC loads using an inverter that turns DC electricity into 120-volt AC electricity.

1.5 Working of Wind Power System

Wind energy is also one of the renewable energy resources that can be used for generating electrical energy with wind turbines coupled with generators. There are various advantages of wind energy, such as wind turbines power generation, for mechanical power with windmills, for pumping water using wind pumps, and so on. Large wind turbines are made to rotate with the blowing wind and accordingly electricity can be generated. The minimum wind speed required for connecting the generator to the power grid is called as cut in speed and maximum wind speed required for the generator for disconnecting the generator from the power grid is called as cut off speed. Generally, wind turbines work in the range of speed between cut in and cut off speeds.

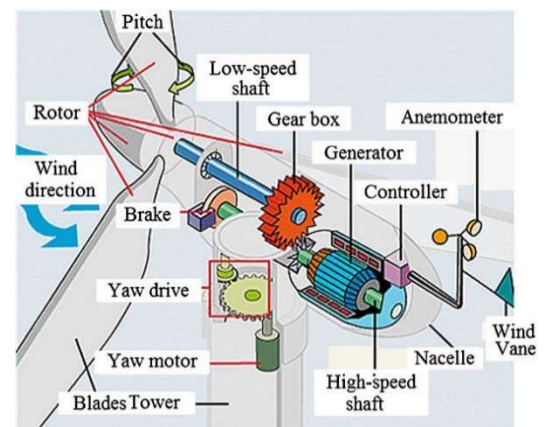
1.6 Wind Turbine

Wind turbine can be defined as a fan consisting of 3 blades that rotate due to blowing wind such that the axis of rotation must be aligned with the direction of blowing wind. A gear box is used for converting energy from one device to another device using mechanical method; hence, it is termed as a high-precision mechanical system. There are different types of wind turbines, but the frequently used wind turbines are horizontal axis turbines and vertical axis turbines. The figure shows different blocks of the wind turbine generator system.

1.7 Wind Turbine Generator

An electrical generator is coupled with a wind turbine; hence, it is named as a wind turbine generator. There are different types of wind turbine generators and these wind turbine generators can be directly connected to the power grid or loads or batteries based on different criteria. In general, there are of four types:

1. Squirrel cage induction generator is directly connected to the power grid or to feed AC loads or DC loads using appropriate converters.
2. A generator along with an AC to DC to AC converter is connected to the power grid.
3. A wound rotor induction generator, which is connected to a power grid or batteries whose speed can be adjusted using rheostats for maintaining required outputs.
4. A double fed induction generator, which is connected to a power grid whose speed can be controlled using back-to-back converters.



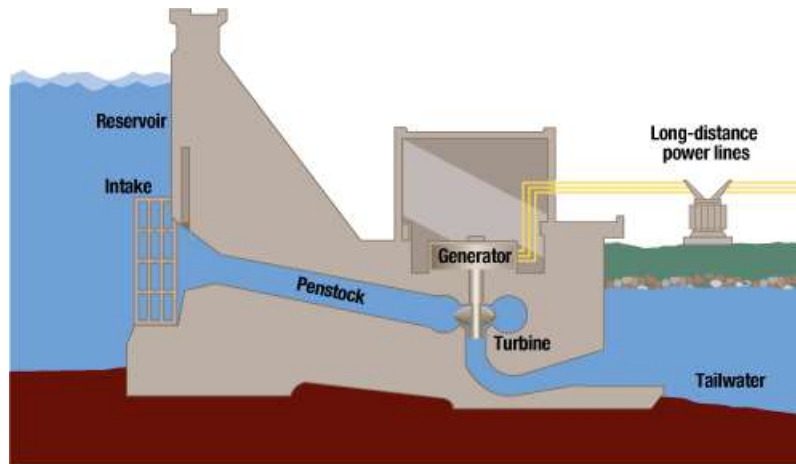
1.3 Wind Turbine

Consider DFIG double fed induction generator with 3-phase wound rotor and 3- phase wound stator. An AC current is induced in the rotor windings due to three phase AC signal fed to rotor windings. Due to mechanical force produced from wind energy the rotor starts rotation and produces a magnetic field. The speed of the rotor and frequency of AC signal applied to rotor windings are proportional to each other. This result of constant magnetic flux passing through stator windings produces AC current in the stator winding. Due to variation of speed in wind speed there is chance of getting AC signal output with varying frequency. But, the AC signal with constant frequency is desired. So, by varying the frequency of input AC signal given to the rotor windings we can obtain AC output signal with constant frequency. Grid side converter can be used for providing regulated DC voltage to charge batteries. Rotor side converter can be used for providing controlled AC voltage to the rotor.

Thus, as shown in the above solar wind hybrid system figure the electric power generated from solar energy system and wind energy system can be used for charging the batteries or for feeding DC loads or we can use the entire power for feeding AC loads. Hybrid solar wind charger is a practical project in which the electric power generated from solar energy and wind energy are used for charging the batteries.

1.8 Working of Hydro Power System

The primary aim of this project is to design a product which generates electricity from rainwater and stores it in rechargeable lithium-ion batteries. Buildings are usually equipped with suitable drainage systems which channel rainwater to flow through downpipes. Ideally it should be possible to easily implement the product into such a system. The product is aimed at people living in areas affected by high volumes of rainfall.



1.4 Hydro Power System

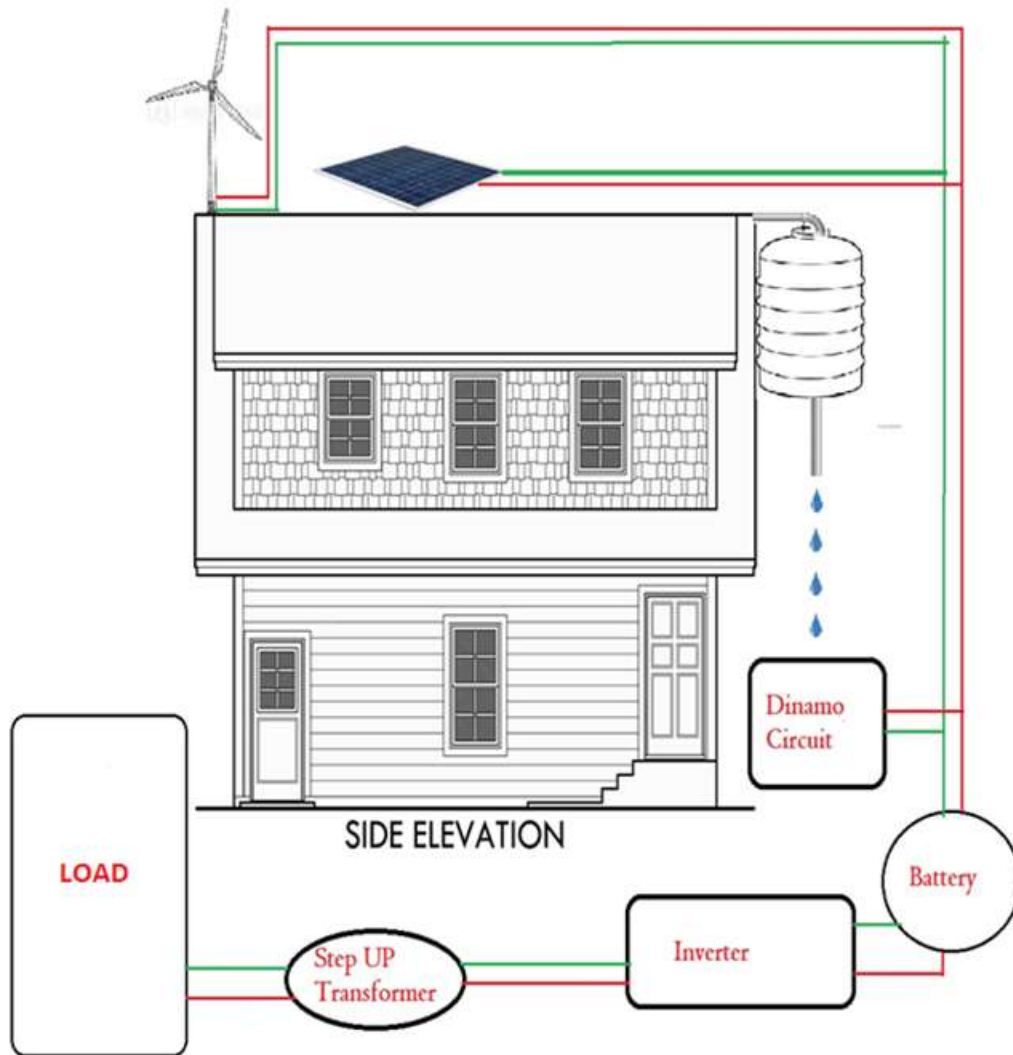
1.9 Design Criteria of Hydro Power System

The main points of the revised design criteria are as follows:

- **Performance** – The product should harvest energy from rainwater drainage system of multi-storey buildings, to produce electricity.
- **Maintenance** – Once installed the device should require minimal maintenance throughout its lifetime. This is to ensure users are not hassled by the product and deterred from using it.
- **Size** – The entire mechanism should fit in with existing standard 65mm diameter pipes of rainwater drainage systems so as to be easily implementable and non-obtrusive to existing plumbing structures.
- **Weight** – The product should be light enough to attach within and be supported by existing pipes in buildings to ensure no plumbing issues occur such as ruptures or leakage.
- **Materials** – The majority of the design should utilize plastic components to keep it lightweight and waterproof. The main parts needed are a PVC (polyvinylchloride) pipe, 3D printed polymer water wheel and a plastic compartment to confine electrical components. The electrical components such as the generator and circuitry should be purchased from standard suppliers to allow current flow.

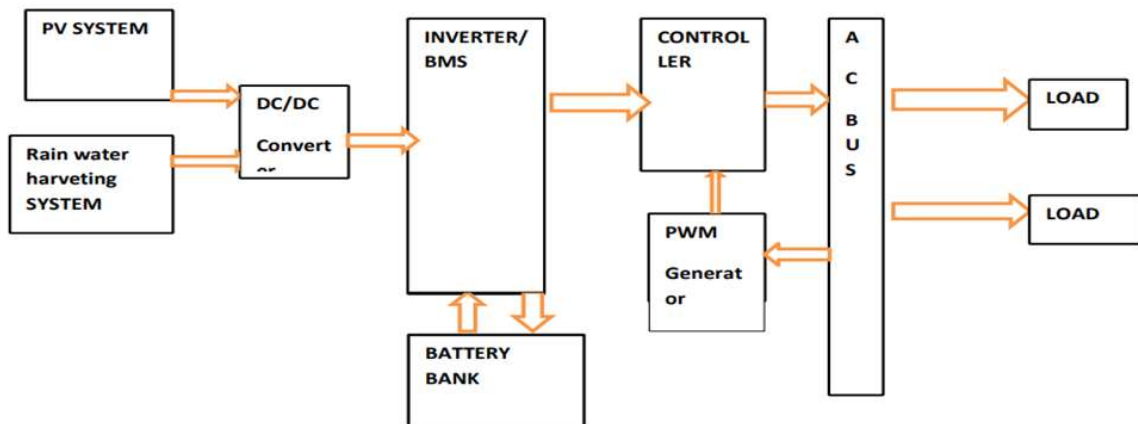
CHAPTER 2: MODEL DIAGRAMS

a) BLOCK DIAGRAM



2.1 Block Diagram

b) SINGLE LINE DIAGRAM



2.2 Single Line Diagram

CHAPTER 3: PROPOSED SYSTEM HARDWARE AND ARCHITECTURE

3.1 list of hardware

- a) Solar panel
- b) Dc motor
- c) Boost converter
- d) Solar charge controller
- e) LM317 Regulator
- f) Battery
- g) Inverter
- h) Water Turbine
- i) Wind Turbine

3.2 Description of hardware

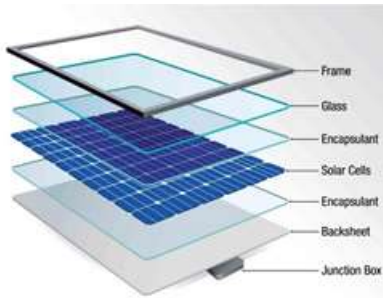
a) Solar panel

A solar panel is a set of solar photovoltaic modules electrically connected and mounted on a supporting structure. A photovoltaic module is a packaged, connected assembly of solar cells. The solar panel can be used as a component of a larger photovoltaic system to generate and supply electricity in commercial and residential applications. A photovoltaic system typically includes a panel or an array of solar modules, an inverter, and sometimes a battery and/or solar tracker and interconnection wiring. Photovoltaic cells or panels are only one way of generating electricity from solar energy. They are not the most efficient, but they are the most convenient to use on a small to medium scale. PV cells are made of silicon, similar to that used in computer "chips". While silicon itself is a very abundant mineral, the manufacture of solar cells (as with computer chips) has to be in a very clean environment. This causes production costs to be high. A PV cell is constructed from two types of silicon, which when hit by solar energy, produce a voltage difference across them, and, if connected to an electrical circuit, a current will flow. A number of photovoltaic cells will be connected together in a "Module", and usually encapsulated in glass held a frame which can then be mounted as required. The cells in a module will be wired in series or parallel to produce a specified voltage. What may be referred to as a 12-volt panel may produce around 16 volts in full sun to charge to 12-volt battery. Here we use Energies company solar panel. The mechanical characteristics made from high efficiency crystalline silicon solar cells. Cells encapsulated in low iron, high transmission, toughened glass using UV stable ethylene vinyl acetate (EVA) sheets. Premium quality back sheet protect the module from environmental conditions. Laminate framed with strong anodized aluminum profile with fitted junction box.

Specification of the solar panel:

1. Material: Silicon
2. Wattage: 10W

3. Type: Polycrystalline
4. No of Cells: 64
5. Output Voltage: 21.5V
6. Short circuit current: 0.65A
7. voltage at maximum power: 17.5 V
8. Current at max. Power: 0.58 A
9. Tolerance: 5%



3.1 Solar Panel

b) DC Motor

Although the motor gives 60 RPM at 12V but the motor runs smoothly from 4V to 12V and gives a wide range of RPM, and torque, 60 RPM Centre Shaft Economy Series DC Motor is a high-quality low-cost DC geared motor.

Specifications of Dc motor:

- i. DC supply: 4 to 12V
- ii. RPM: 60 at 12V
- iii. Total length: 46mm
- iv. Motor diameter: 36mm
- v. Motor length: 25mm
- vi. Brush type: precious metal
- vii. Gear head diameter: 37mm
- viii. Gear head length: 21mm
- ix. Output shaft: Centered
- x. Shaft diameter: 6mm
- xi. Shaft length: 22mm
- xii. Gear assembly: Spur
- xiii. Motor weight: 105gms



3.2 DC Motor

c) Boost Converter

A boost converter (step-up converter) is a DC-to-DC power converter that steps up voltage (while stepping down current) from its input (supply) to its output (load). It is a class of switched-mode power supply (SMPS) containing at least two semiconductors (a diode and a transistor) and at least one energy storage element: a capacitor, inductor, or the two in combination. To reduce voltage ripple, filters made of capacitors (sometimes in combination with inductors) are normally added to such a converter's output (load-side filter) and input (supply-side filter).

Battery power systems often stack cells in series to achieve higher voltage. However, sufficient stacking of cells is not possible in many high voltage applications due to lack of space. Boost converters can increase the voltage and reduce the number of cells. Two battery-powered applications that use boost converters are used in hybrid electric vehicles (HEV) and lighting systems.

The NHW20 model Toyota Prius HEV uses a 500 V motor. Without a boost converter, the Prius would need nearly 417 cells to power the motor. However, a Prius actually uses only 168 cells [citation needed] and boosts the battery voltage from 202 V to 500 V. Boost converters also power devices at smaller scale applications, such as portable lighting systems. A white LED typically requires 3.3 V to emit light, and a boost converter can step up the voltage from a single 1.5 V alkaline cell to power the lamp.

An unregulated boost converter is used as the voltage increase mechanism in the circuit known as the 'Joule thief'. This circuit topology is used with low power battery applications, and is aimed at the ability of a boost converter to 'steal' the remaining energy in a battery. This energy would otherwise be wasted since the low voltage of a nearly depleted battery makes it unusable for a normal load. This energy would otherwise remain untapped because many applications do not allow enough current to flow through a load when voltage decreases.

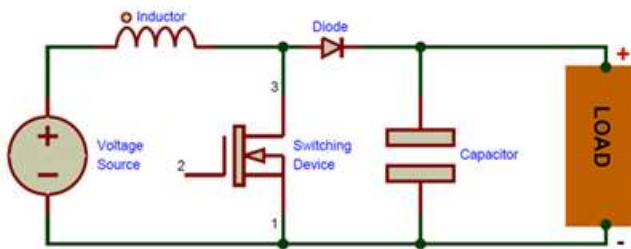
This voltage decrease occurs as batteries become depleted, and is a characteristic of the ubiquitous alkaline battery. Since the equation for power is $P = VI$, power available to the load goes down significantly as voltage decreases. It is a dc to dc step-up converter. The simplest way to increase the voltage of a DC supply is to use a linear regulator (such as a 7805), but linear regulators waste energy as they operate by dissipating excess power as heat. Boost converters, on the other hand, can be remarkably efficient (95% or higher for integrated circuits). It utilizes a MOSFET switch (IRFP250N), a diode, inductor and a capacitor. Few resistors also are used in the circuit for the protection of the main components. When the MOSFET switch is 'ON' current rises through inductor, capacitor and load. Inductor stores energy. When switch is 'OFF' the energy in the inductor circulates current through inductor, capacitor freewheeling diode and load. The output voltage will be greater than or equal to the input voltage.

Here we use an LM2596 DC-DC buck converter step-down power module with high-precision potentiometer for adjusting output voltage, capable of driving a load up to 3A with high efficiency.

The specification of the DC-DC boost converter is-

1. Module properties: non-isolated constant voltage module
2. Rectification: non-synchronous rectification

3. Input Voltage: 0V-35V
4. Output Current: 3A maximum
5. Output Voltage: 1.3V-30V
6. Conversion efficiency: 92% (maximum)
7. Switching frequency: 150KHz
8. Output ripple: 50mV (maximum) 20M-bandwidth
9. Load regulation: $\pm 0.5\%$
10. Voltage regulation: $\pm 2.5\%$
11. Operating temperature: $-40\text{ }^{\circ}\text{C}$ to $+85\text{ }^{\circ}\text{C}$
12. Size: 48x23x14 mm



3.3 Boost Converter Circuit Diagram

D) Solar Charge Controller

A charge controller or charge regulator is basically a voltage and/or current regulator to keep batteries from overcharging. It regulates the voltage and current coming from the solar panels going to the battery. Most "12 volt" panels put out about 16 to 20 volts, so if there is no regulation the batteries will be damaged from overcharging. Most batteries need around 14 to 14.5 volts to get fully charged.

Not always, but usually. Generally, there is no need for a charge controller with the small maintenance, or trickle charge panels, such as the 1 to 5-watt panels. A rough rule is that if the panel puts out about 2 watts or less for each 50-battery amp-hours, then you don't need one.

Charge controls come in all shapes, sizes, features, and price ranges. They range from the small 4.5-amp (SunGard) control, up to the 60-to-80-amp MPPT programmable controllers with computer interface. Often, if currents over 60 amps are required, two or more 40-to-80-amp units are wired in parallel. The most common controls used for all battery-based systems are in the 4-to-60-amp range, but some of the new MPPT controls such as the Outback Power FlexMax go up to 80 amps.

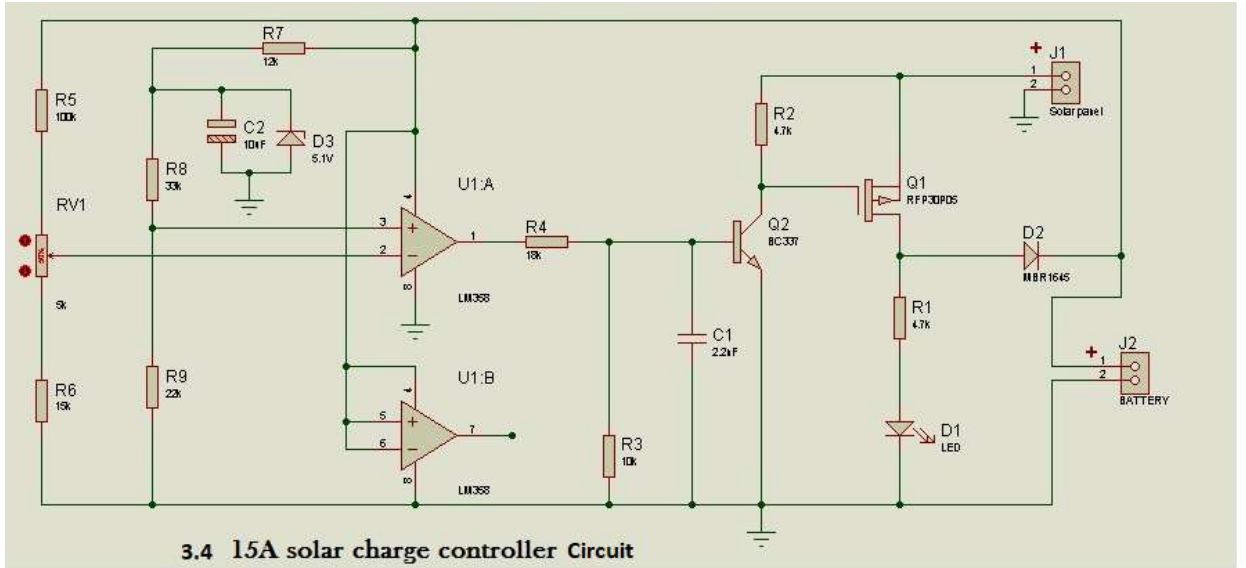
Charge controls come in 3 general types (with some overlap):

Simple 1 or 2 stage controls which rely on relays or shunt transistors to control the voltage in one or two steps. These essentially just short or disconnect the solar panel when a certain voltage is reached. For all practical purposes these are dinosaurs, but you still see a few on old systems - and some of the super cheap ones for sale on the internet. Their only real claim to fame is their reliability - they have so few components, there is not much to break.

3-stage and/or PWM such Morningstar, Xantrex, Blue Sky, Steca, and many others. These are pretty much the industry standard now, but you will occasionally still see some of the older shunt/relay types around, such as in the very cheap systems offered by discounters and mass marketers.

Maximum power point tracking (MPPT), such as those made by Midnite Solar, Xantrex, Outback Power, Morningstar and others. These are the ultimate in controllers, with prices to match - but with efficiencies in the 94% to 98% range, they can save considerable money on larger systems since they provide 10 to 30% more power to the battery. For more information, see our article on MPPT.

Most controllers come with some kind of indicator, either a simple LED, a series of LEDs, or digital meters. Many newer ones, such as the Outback Power, Midnite Classic, Morningstar MPPT, and others now have built in computer interfaces for monitoring and control. The simplest usually have only a couple of small LED lamps, which show that you have power and that you are getting some kind of charge. Most of those with meters will show both voltage and the current coming from the panels and the battery voltage. Some also show how much current is being pulled from the LOAD terminals.



3.5 15A Solar charger Controller

e) LM317 Regulator

The LM317T is an adjustable 3-terminal positive voltage regulator capable of supplying different DC voltage outputs other than the fixed voltage power supply of +5 or +12 volts, or as a variable output voltage from a few volts up to some maximum value all with currents of about 1.5 amperes.

With the aid of a small bit of additional circuitry added to the output of the PSU we can have a bench power supply capable of a range of fixed or variable voltages either positive or negative in nature. In fact this is more simple than you may think as the transformer, rectification and smoothing has already been done by the PSU beforehand all we need to do is connect our additional circuit to the +12 volt yellow wire output.

But firstly, lets consider a fixed voltage output. There are a wide variety of 3-terminal voltage regulators available in a standard TO-220 package with the most popular fixed voltage regulator being the 78xx series positive regulators which range from the very common 7805, +5V fixed voltage regulator to the 7824, +24V fixed voltage regulator. There is also a 79xx series of fixed negative voltage regulators which produce a complementary negative voltage from -5 to -24 volts but in this tutorial we will only use the positive 78xx types.

The fixed 3-terminal regulator is useful in applications where an adjustable output is not required making the output power supply simple, but very flexible as the voltage it outputs is dependant only upon the chosen regulator. They are called 3-terminal voltage regulators because they only have three terminals to connect to and these are the Input, Common and Output respectively. The input voltage to the regulator will be the +12v yellow wire from the PSU (or separate transformer supply), and is connected between the input and common terminals. The stabilized +9 volts is taken across the output and common as shown. So suppose we want an output voltage of +9 volts from our PSU bench power supply, then all we have to do is connect a +9v voltage regulator to the +12V yellow wire. As the PSU has already done the rectification and smoothing to the +12v output, the only additional components required are a capacitor across the input and another across the output. These additional capacitors aid in the stability of the regulator and can be anywhere between 100nF and 330nF. The additional 100uF output capacitor helps smooth out the inherent ripple content giving it a good transient response. This large value capacitor placed across the output of a power supply circuit is commonly called a “Smoothing Capacitor”.

These 78xx series regulators give a maximum output current of about 1.5 amps at fixed stabilized voltages of 5, 6, 8, 9, 12, 15, 18 and 24V respectively. But what if we wanted an output voltage of +9V but only had a 7805, +5V regulator. The +5V output of the 7805 is referenced to the “ground, Gnd” or “0v” terminal.

f) Lead acid Battery

The electrical energy produced by the system is need to be either utilized completely or stored. Complete utilization of all the energy produced by the system for all the time is not possible. So, it should be store rather than useless wasting it. Electrical batteries is the most relevant, low cost, maximum efficient storage of electrical energy in the form of chemical reaction. Hence, batteries are preferred.

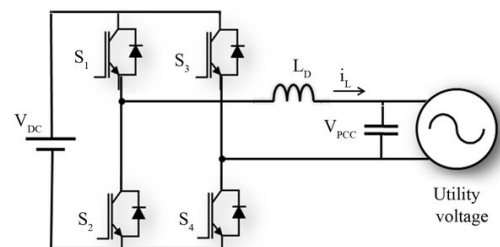
The energy generated from the proposed project is need to be store. So, two batteries is needed. One is attached to wind turbine for which a 120AmpH battery will be required, which will be fair enough full fill the storage capacity for targeted value. The second battery is 80AmpH is preferred for storing solar and water energy. But, as per application/ storage and demand battery capacity can be variable.



3.6 Lead acid Battery

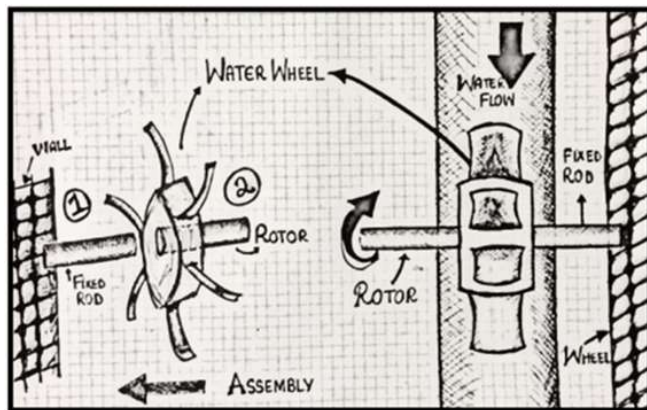
g) Inverter

An inverter is a motor control that adjusts the speed of an AC induction motor. It does this by varying the frequency of the AC power to the motor. An inverter also adjusts the voltage to the motor. This process takes place by using some intricate electronic circuitry that controls six separate power devices. They switch on and off to produce a simulated three phase AC voltage. This switching process is also called inverting DC bus voltage and current into the AC waveforms that are applied to the motor. This led to the name “inverter”. For the rest of this discussion, the term “inverter” will be used in place of adjustable speed drive. Most inverters are of the variable voltage, variable frequency design. They consist of a converter section, a bus capacitor section and an inverting section. The converter section uses semiconductor devices to rectify (convert) the incoming fixed voltage, fixed frequency 3-phase AC power to DC voltage which is stored in the bus capacitor bank. There it becomes a steady source of current for the power devices which are located in what is known as the inverting section. The inverting section absorbs power from the DC bus cap bank, inverts it back to simulated 3-Phase AC sine waves of varying voltage and varying frequency that are typically used to vary the speed of a 3-phase induction.

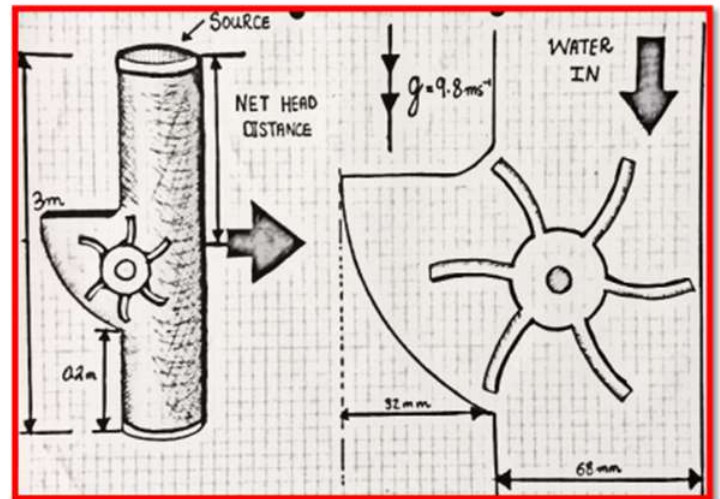


h) Water Turbine

Dynamo was installing such a way under the pipe that blade will get maximum amount of force to rotate and this Rotations of the rotor will be utilized to produce electricity. Initially a dynamo was to be utilized for generation as it produces direct current, DC, which is what rechargeable batteries require.



3.7 Water Turbine Internal Design



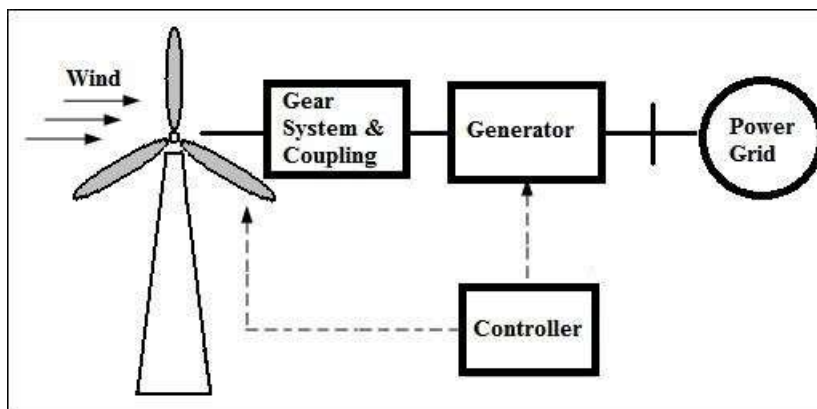
3.8 Water Turbine External Design

i) Wind Turbine

Wind turbines work on a simple principle: instead of using electricity to make wind-like a fan-wind turbines use wind to make electricity. Wind turns the propeller-like blades of a turbine around a rotor, which spins a generator, which creates electricity.

Wind is a form of solar energy caused by a combination of three concurrent events:

1. The sun unevenly heating the atmosphere
2. Irregularities of the earth's surface
3. The rotation of the earth.

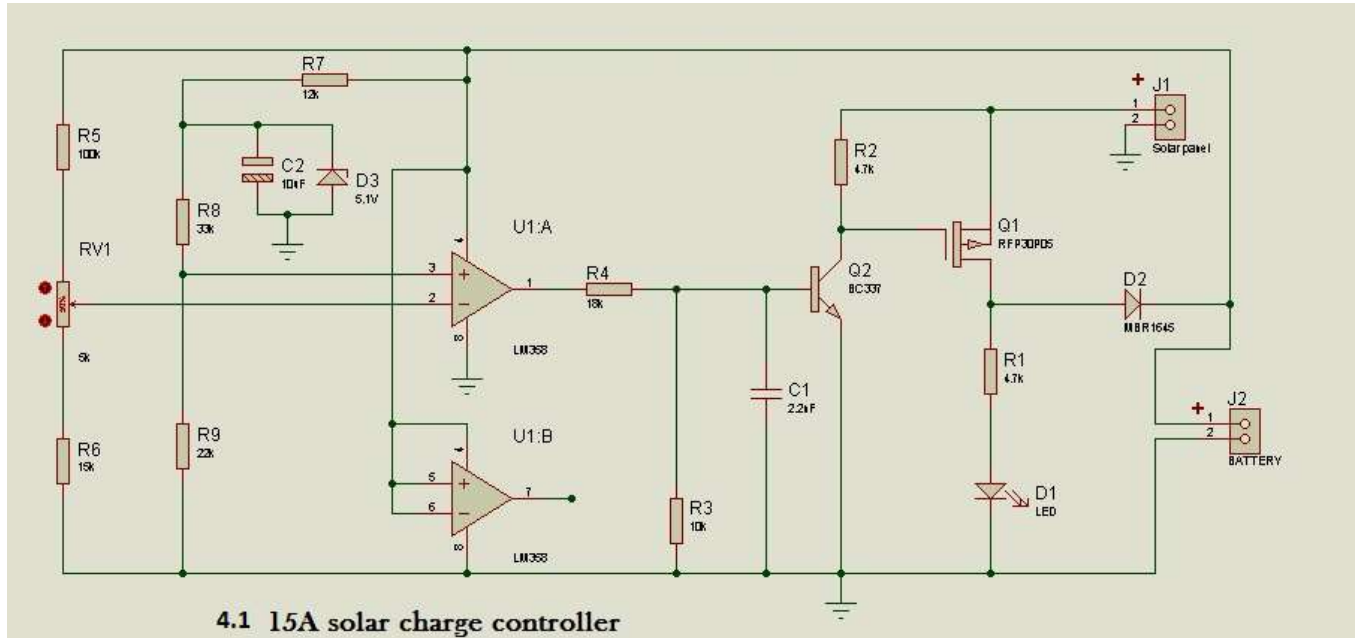


3.9 Wind Turbine Single Line Diagram

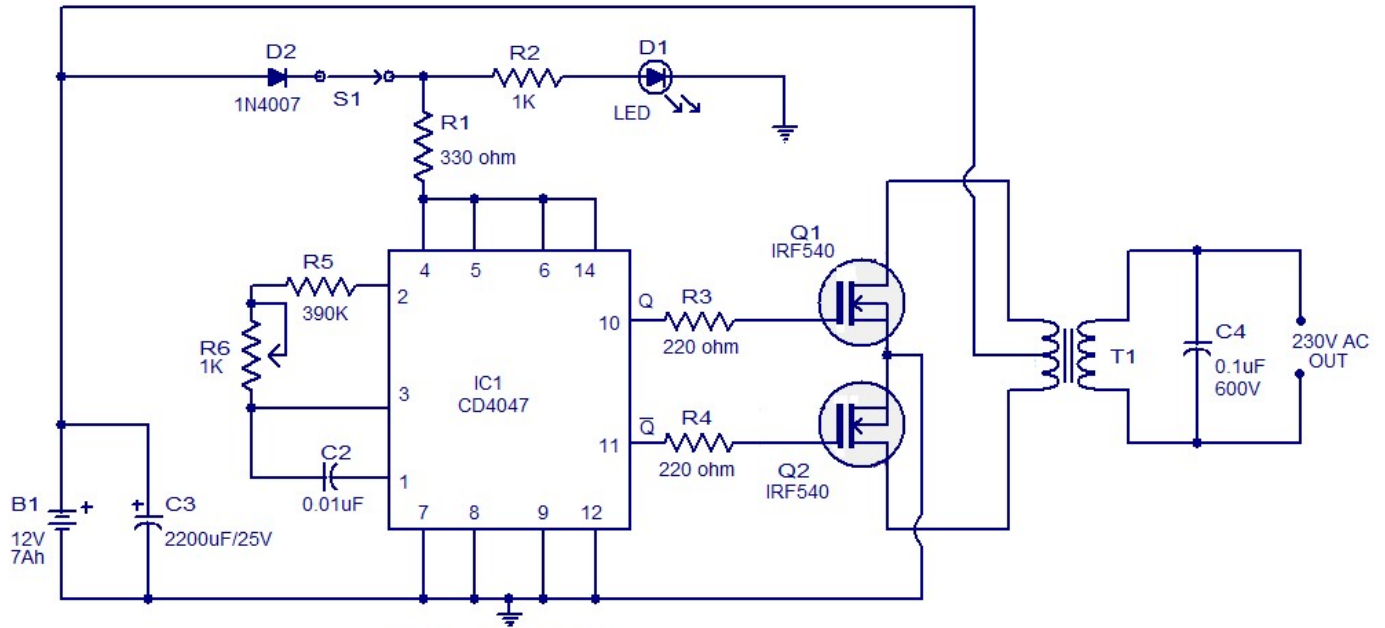
CHAPTER 4: SYSTEM IMPLEMENTATION

4.1 Circuit Diagram

a) Solar Charge Controller

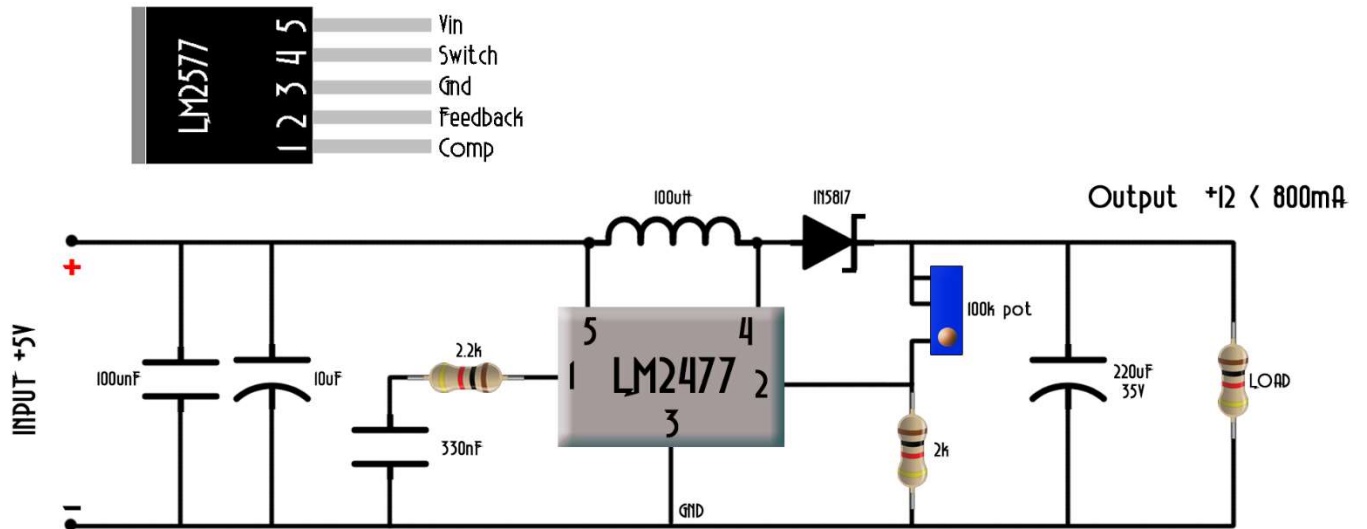


b) Inverter



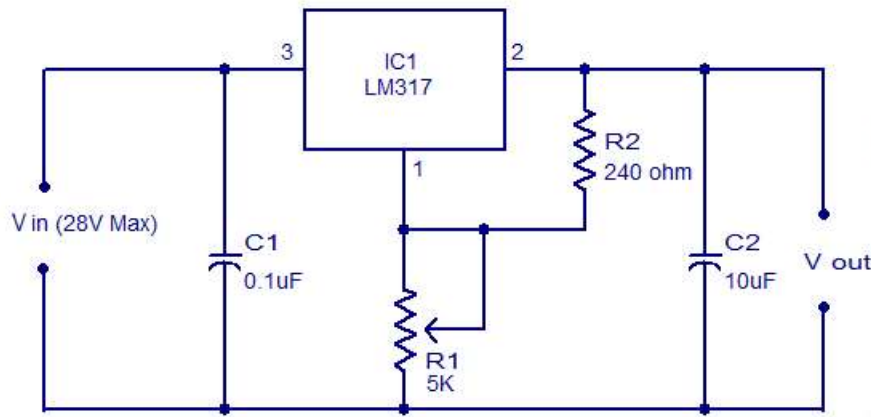
4.2 Inverter Circuit Diagram

C) Boost converter



4.3 Boost Converter Circuit Diagram

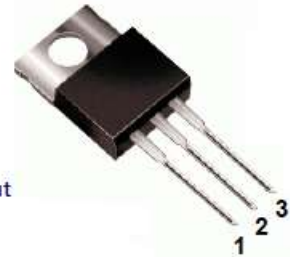
d) LM317 Voltage Regulator



Typical adjustable regulator using LM317 www.circuitstoday.com

$$V_{out} = 1.25V (1 + (R2/R1)) + (I_{adj} \times R2)$$

LM317 Pin Arrangement

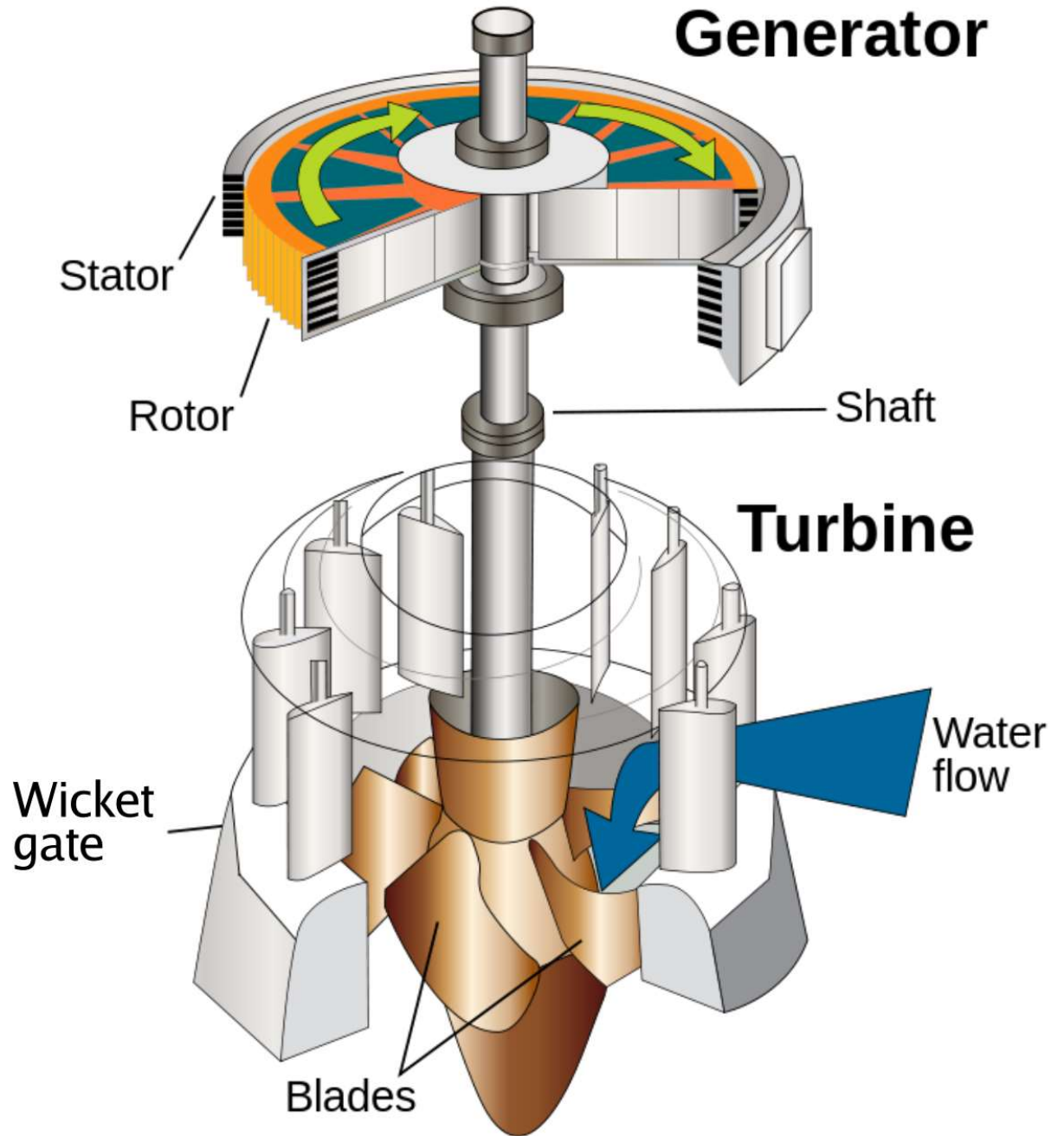


1. Adjust
2. V_{out}
3. V_{in}

Heatsink is connected to pin 2

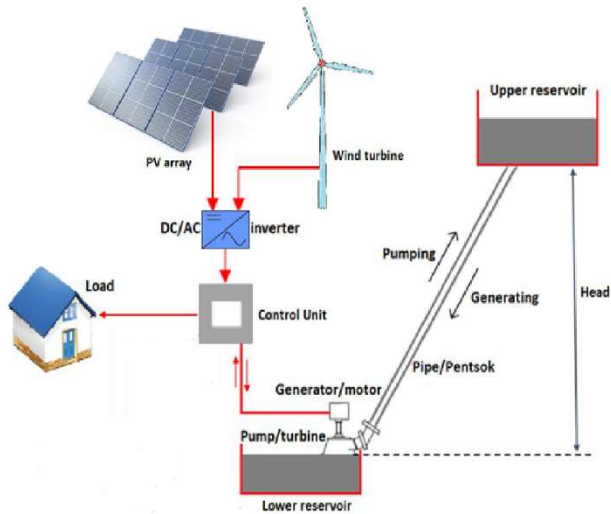
4.4 LM371 Circuit Diagram

e) Water Turbine



4.5 Water Turbine

4.2Project



4.6 Implimentation Diagram



4.7 Project Model

4.3 Observation:

Let the solar, wind and water current be i_1 , i_2 and i_3 respectively, and voltage be V and i be the internal drop current in charger controller module.

Now,

Total power, $P = V (i_1 + i_2 + i_3 - i)$

Now, let efficiency of the inverter, $\eta = 0.85$

So, hybrid power in the form of the AC of the system, $\eta = 0.85 V (i_1 + i_2 + i_3 - i)$

CHAPTER 5: CONCLUSION AND FUTURE SCOPE

5.1 Conclusion

Hybrid combinations of wind power, solar power, geothermal power, hydroelectric power, tidal power, biomass generated power, power from incineration of solid wastes, and many other technologies could be considered depending on local interests and resources. Besides being pollution free, they are free recurring costs. They offer power supply solutions for remote areas, not accessible by the grid supplies. In our proposed hybrid model Solar, Wind and Rain water has been planned to use to generate electricity. The objectives of the present study are to convert the solar, wind and rain water into electricity and to optimize the energy requirement using these nonconventional energy resources.

Through this we are efficiently trying to use renewable resources.

This are natural resource which will replenish to replace the portion depleted by usage and consumption, either through natural reproduction or other recurring processes in a finite amount of time in a human time scale. When such recovery rate of resources is unlikely to ever exceed a human time scale, these are called perpetual resources.

India generates about 350 million tons of agricultural waste every year due to lack of cold storage in remote area our project can solve this problem great extend Irrigation is the artificial process of applying controlled amounts of water to land to assist in production of crops. Irrigation helps to grow agricultural crops, maintain landscapes, and revegetate disturbed soils in dry areas and during periods of less than average rainfall.

Water filtration is the process of removing or reducing the concentration of particulate matter, including suspended particles, parasites, bacteria, algae, viruses, and fungi, as well as other undesirable chemical and biological contaminants from contaminated water to produce safe and clean water for a specific purpose, such as drinking, medical, and pharmaceutical applications. Our project can solve the problem of safe drinking water in rural area.

5.2 Future Scope and Application

India ranks fifth in the world in wind power generation at 9600 MW. The coastal region and some parts of Gujarat and Rajasthan in India witness a very favorable wind regime, and therefore, the wind power development in these areas has been significant. For commercial exploitation of wind energy, wind velocity at a site should be more than 6 meter per second and corresponding wind power density more than 200 watt per meter square. The wind-solar project had been installed by the Haryana Renewable Energy Development Agency (HAREDA) in November 2008 at a cost of Rs 34 lakh with financial assistance from the Union Ministry of New and Renewable Energy (MNRE). The power plant has 6.6 kW power generation from wind energy and 3.4 kW power generation from solar. The power generated is being supplied to 24 houses of Chakli and Ramsar villages for two lights, one fan and six street lights. The hybrid power plant has been generating 12 units of electricity per day on an average basis and sometimes when the wind velocity is high, the power generated is about 30 units per day. The average cost of generation power in this mode comes out to be about Rs. 15/-per unit. The plant has generated about 2865 units of electricity in one year. The villagers are contributing Rs.50/- per month towards energy charges and are enjoying 24x7 electricity. The power availability in these villages has increased from about 50% to 100%. i.e; form 7-12 hours in the pre project scenario to 24 hours in the post project period. The project has been an exciting learning experience for HAREDA while successfully demonstrating solar wind hybrid power generation technology on the ground. It has also had a significant spread effect in terms of creating a “demand” for renewable energy projects among local inhabitants, that too, in an ecologically sensitive zone like the Morni hills.

5.3) REFERENCE

[1]

T.S. Balaji Damodhar and A. Sethil Kumar, “Design of high step up modified for hybrid solar/wind energy system,” Middle-East.

[2]

Walaa Elshafee Malik Elamin, “Hybrid wind solar electric power system,” report, University of Khartoum, Index 084085, July,2013.

[3]

<https://energysustainsoc.biomedcentral.com/articles/10.1186/s13705-020-0240-1>

[4]

https://www.researchgate.net/publication/262646770_DEVELOPMENT_OF_HYBRID_POWER_GENERATION_MODEL_USING_RAIN_WATER_SOLAR_AND_WIND

[5]

<https://www.energy.gov/energysaver/buying-and-making-electricity/hybrid-wind-and-solar-electric-systems>

[6]

https://www.academia.edu/33362346/DEVELOPMENT_OF_HYBRID_POWER_GENERATION_MODEL_USING_RAIN_WATER_SOLAR_AND_WIND

[7]

<http://usof.gov.in/usof-cms/miscellaneous/Renewable%20Energy%20Committee%20Report.pdf>

[8]

T.S. Balaji Damodhar and A. Sethil Kumar, “Design of high step up modified for hybrid solar/wind energy system,” Middle-East.

[9]

Walaa Elshafee Malik Elamin, “Hybrid wind solar electric power system,” report, University of Khartoum, Index 084085, July,2013.

[10]

https://www.academia.edu/33362346/DEVELOPMENT_OF_HYBRID_POWER_GENERATION_MODEL_USING_RAIN_WATER_SOLAR_AND_WIND

[11] <https://energysustainsoc.biomedcentral.com/articles/10.1186/s13705-020-0240-1>

[12]

https://www.researchgate.net/publication/320372407_DEVELOPMENT_OF_HYBRID_POWER_GENERATION_MODEL_USING_RAIN_WATER_SOLAR_AND_WIND

[13] <https://www.intechopen.com/books/wind-solar-hybrid-renewable-energy-system/a-review-of-hybrid-renewable-energy-systems-based-on-wind-and-solar-energy-modeling-design-and-optim>